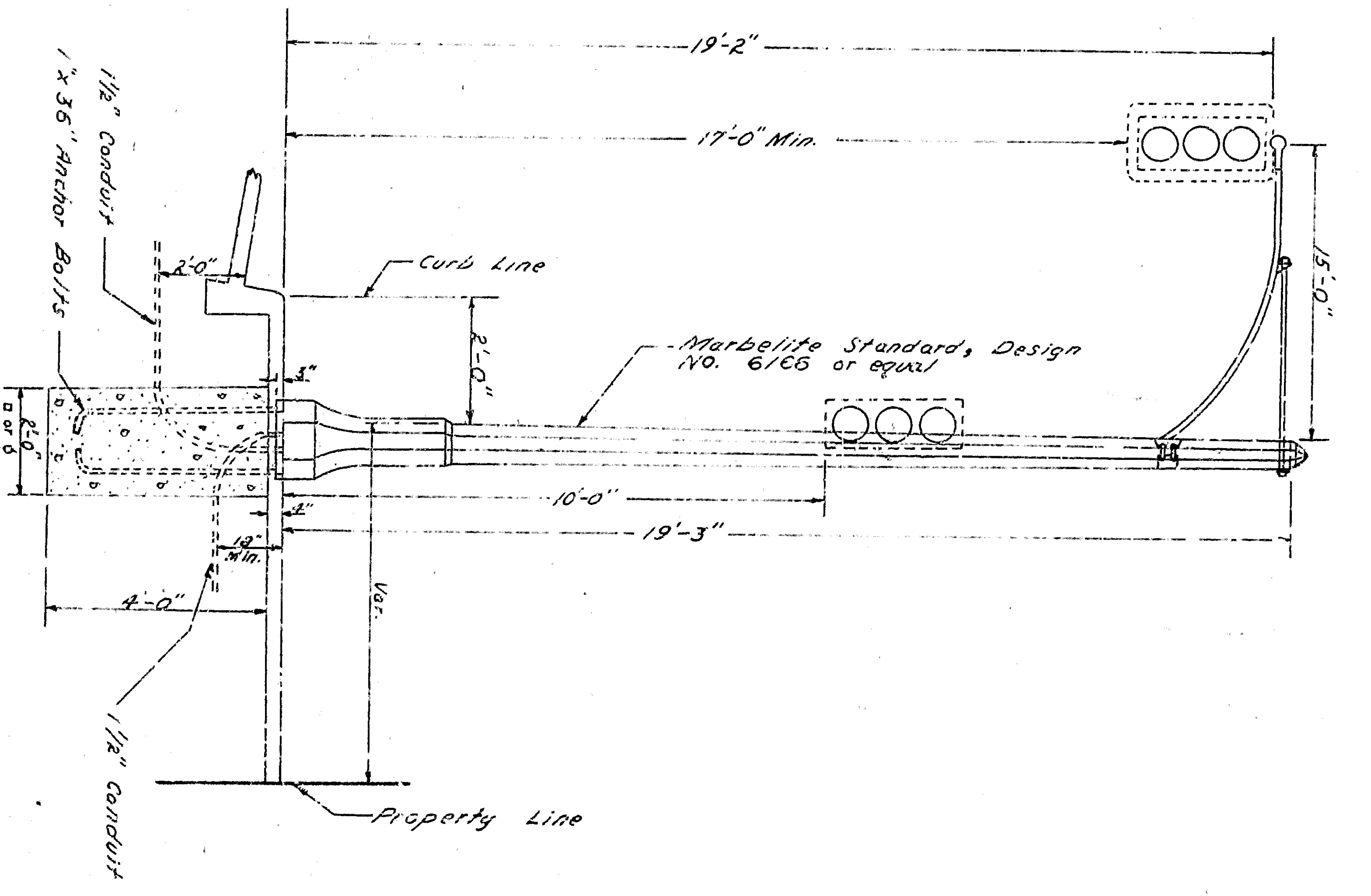
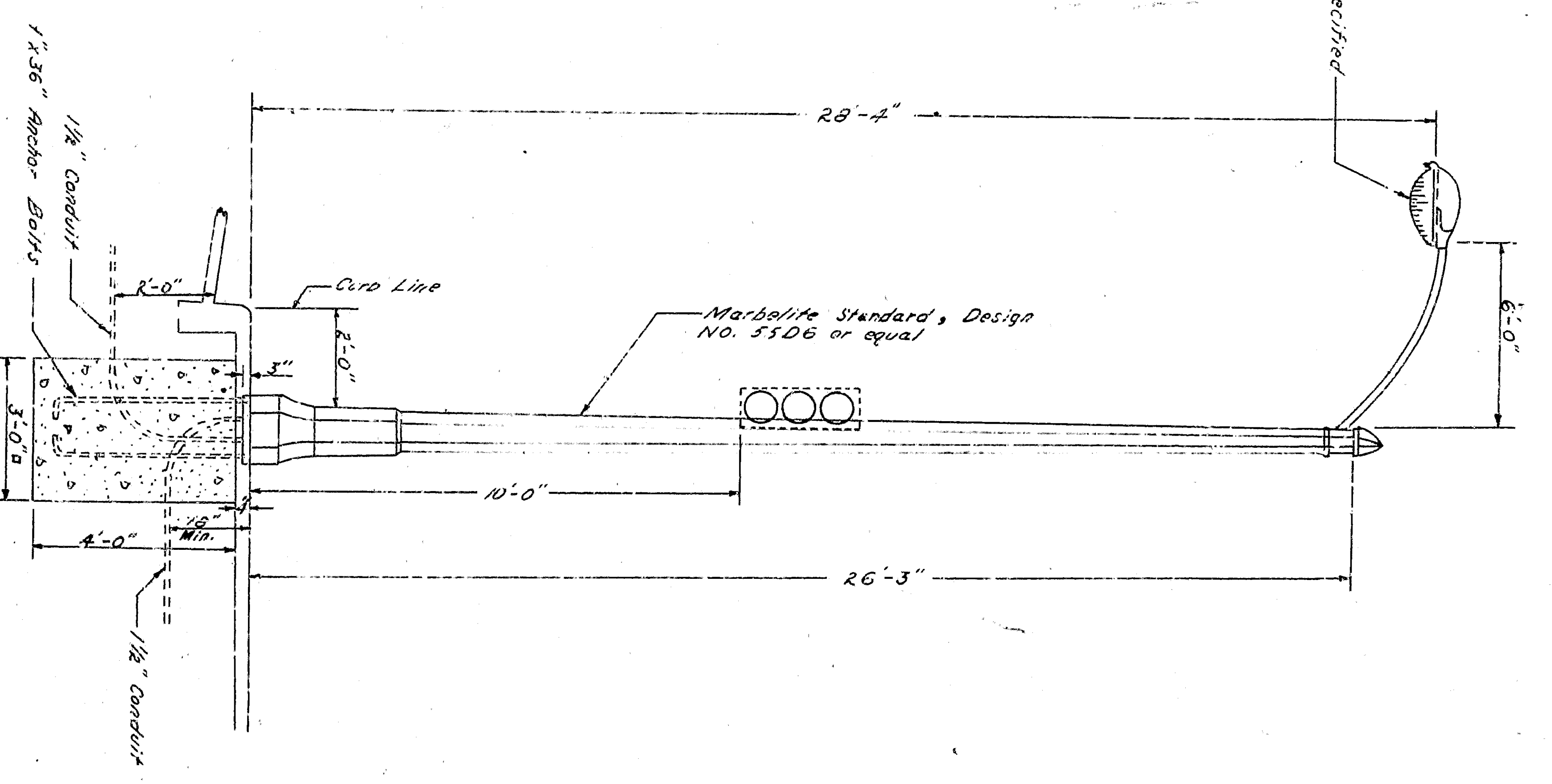


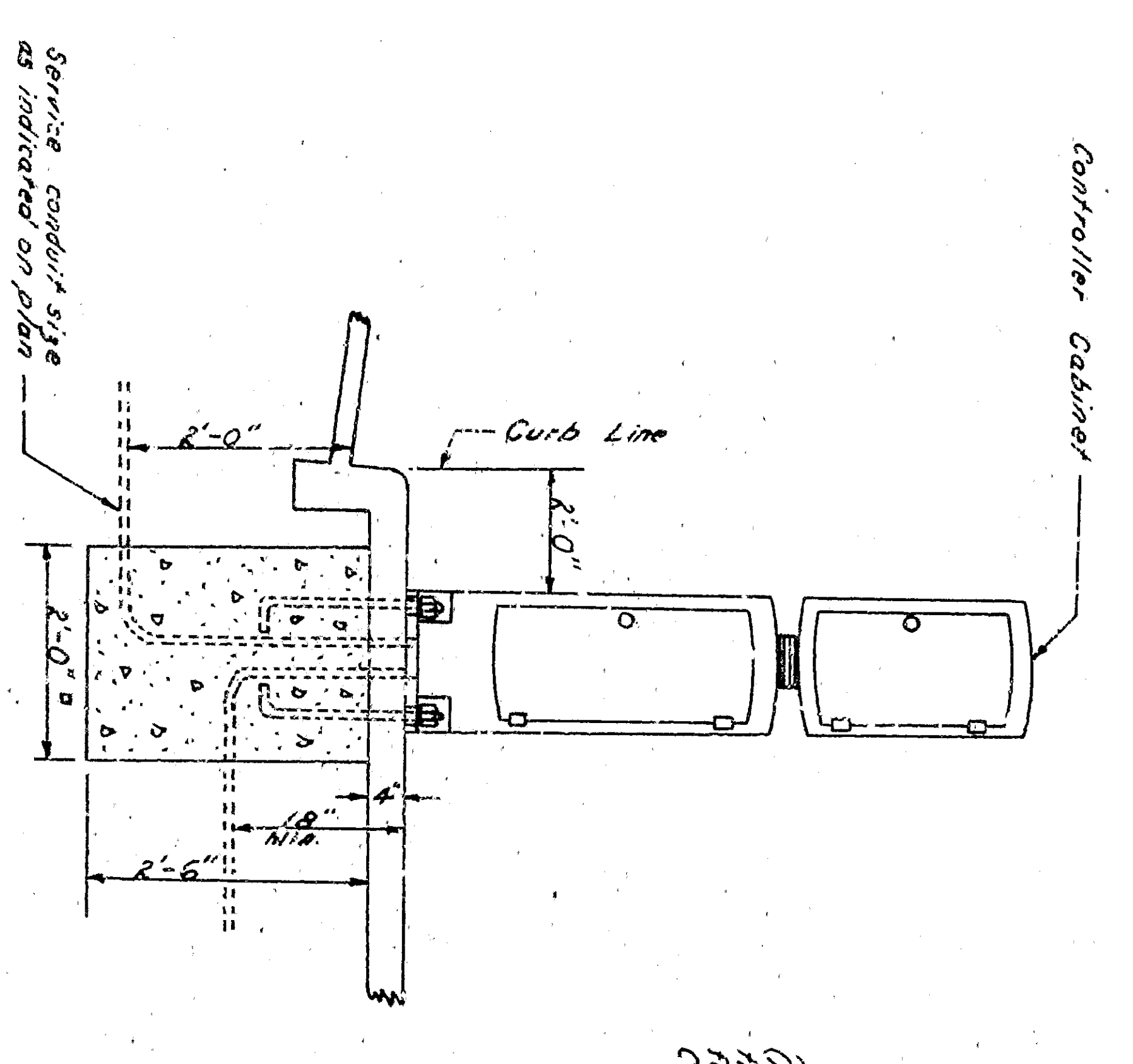
TYPE III(c) STANDARD, 23' skimmer, without main arm signal



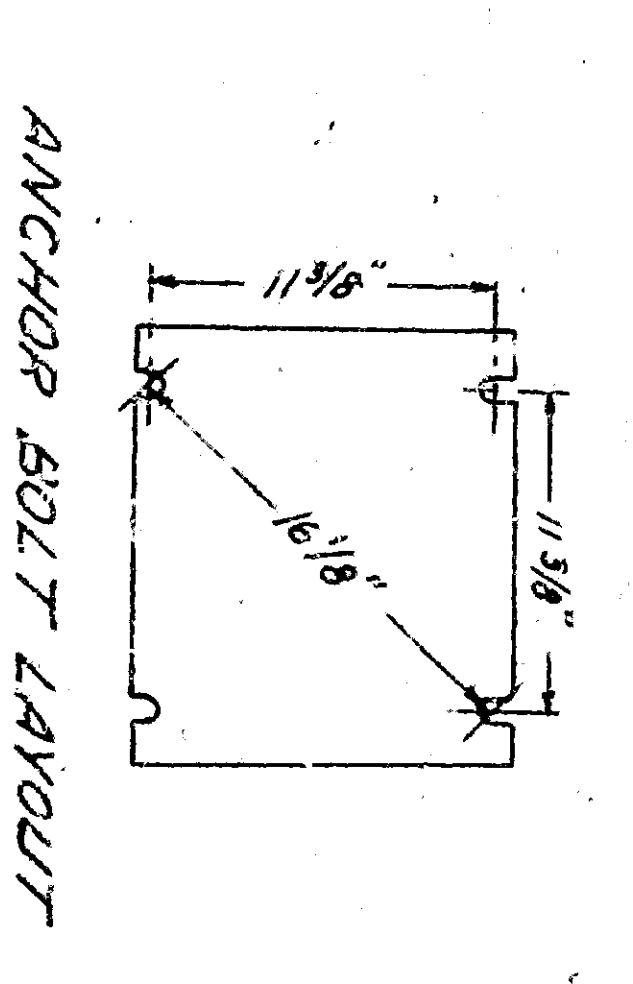
TYPE II(c) STANDARD



TYPE I(c) STANDARD (29')

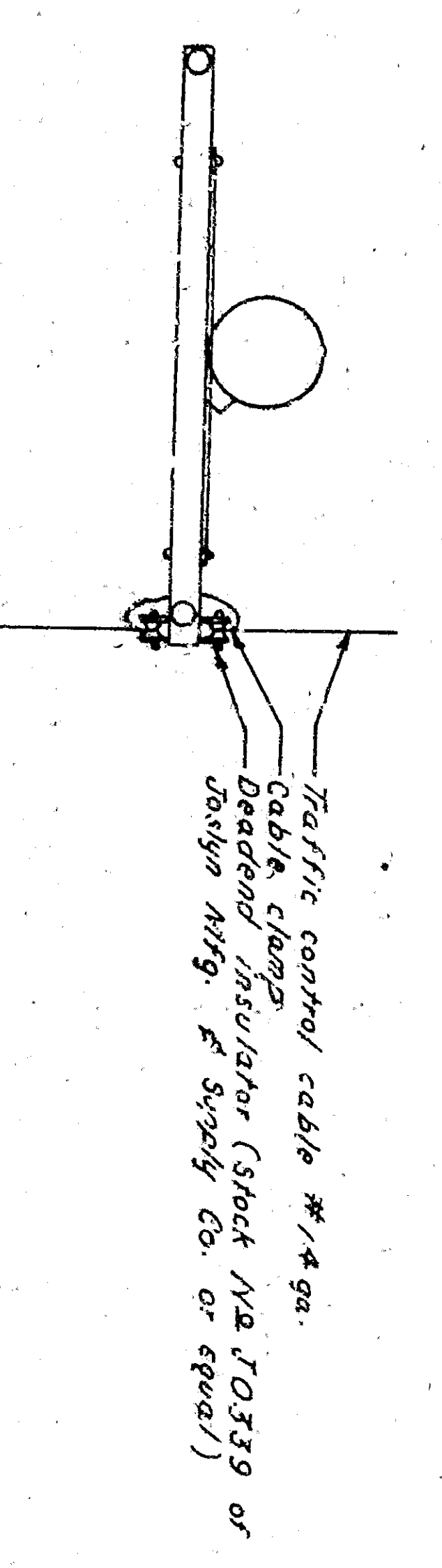
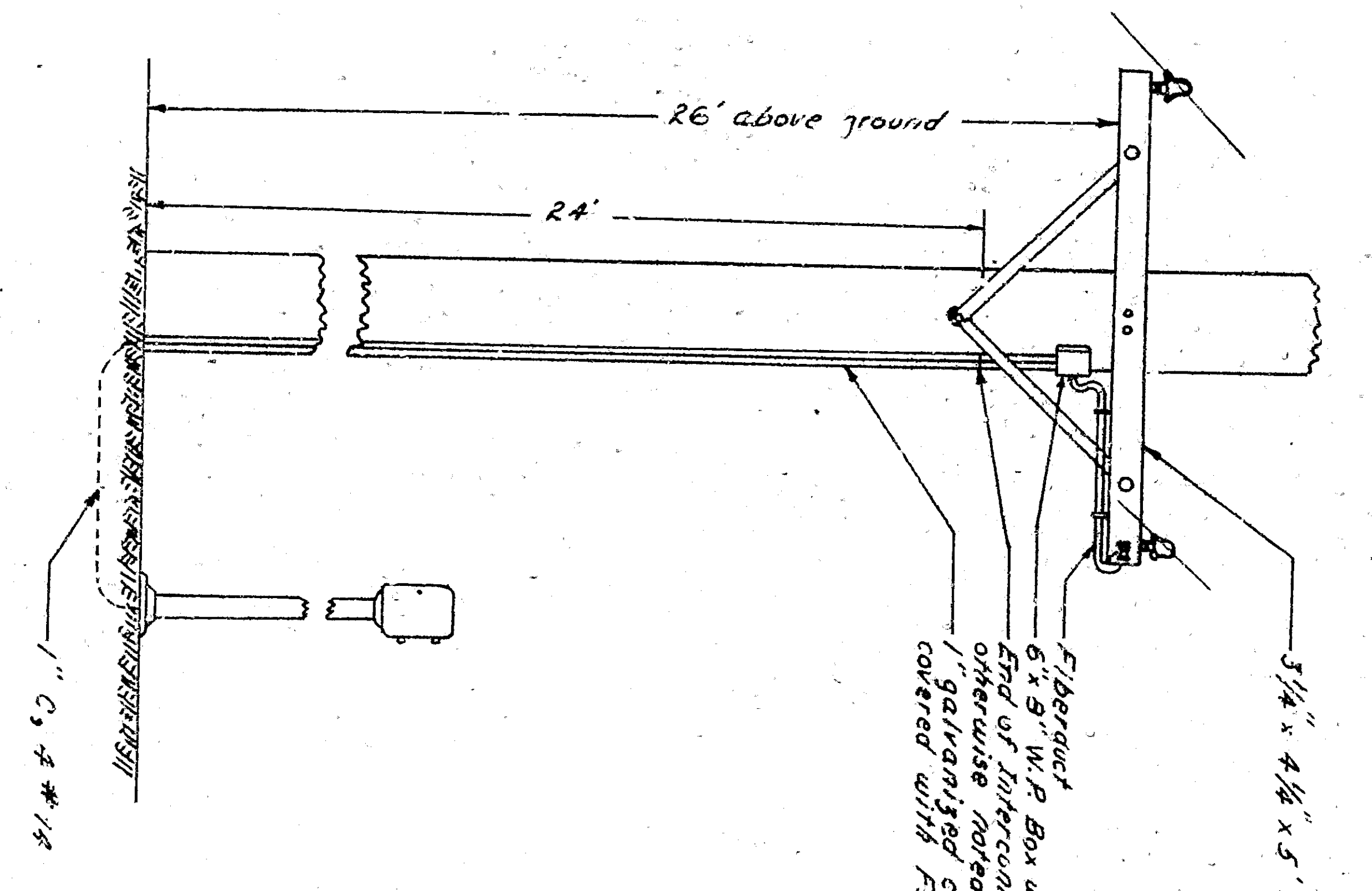


SQUARE PEDESTAL CABINET & BASE

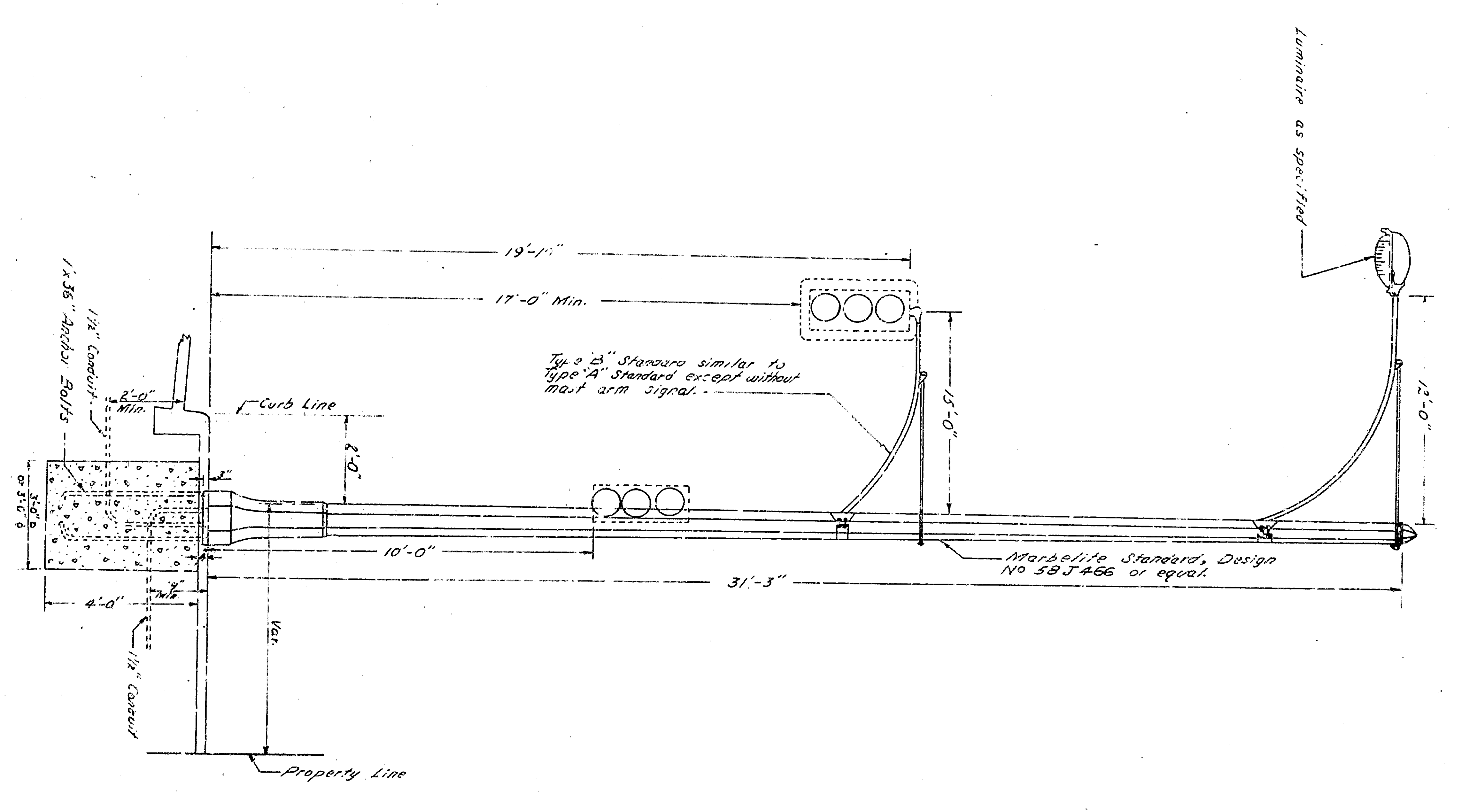


Anchor bolts required (min) 4 - 1/2" dia. (8-11.7) 2-ways @ 4" max. per bolt. Maximum Embedment (min) 12" per bolt. K14. Above Concrete must have Min 2.5" dia.

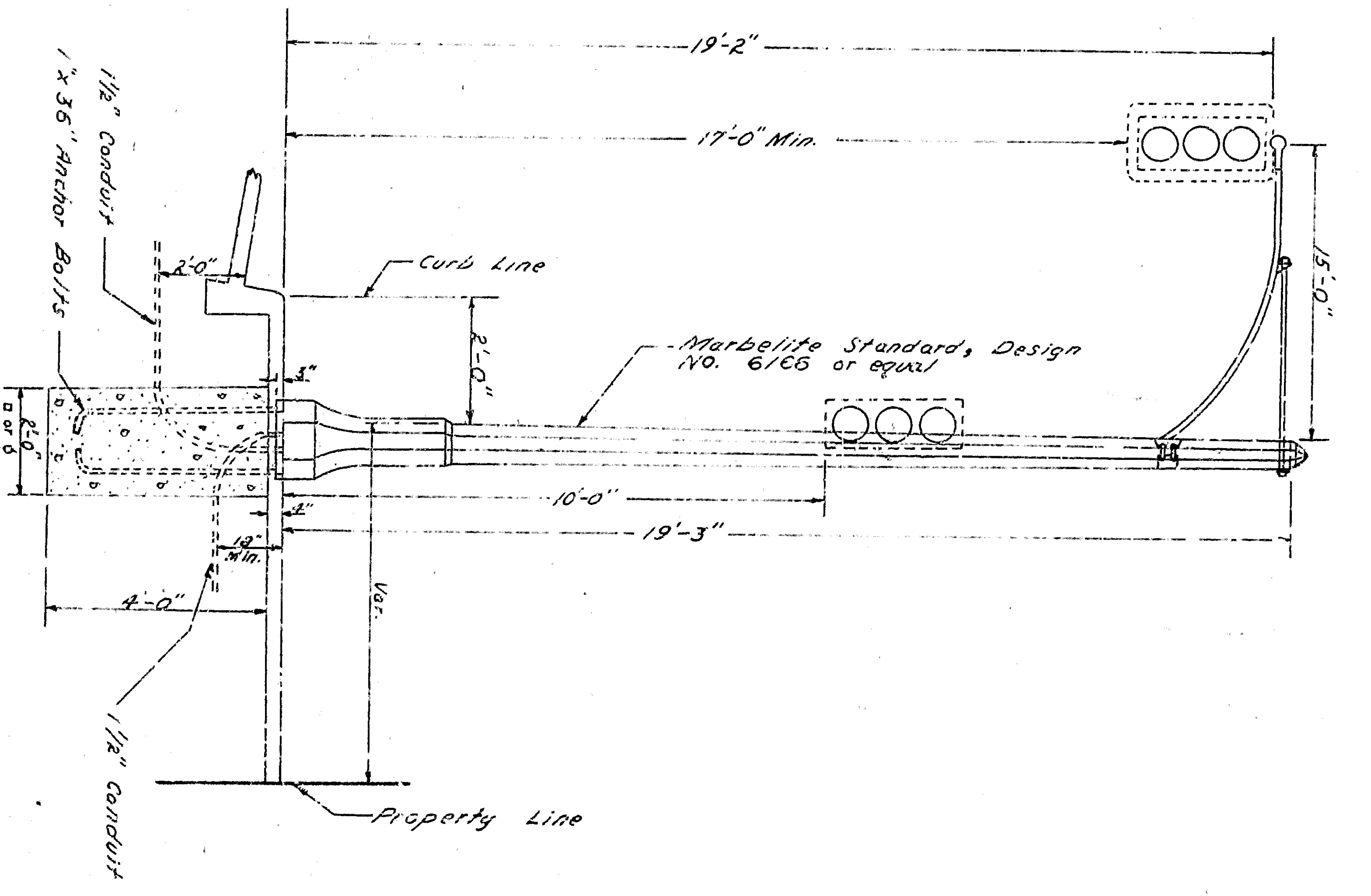
INTERCONNECT DETAILS



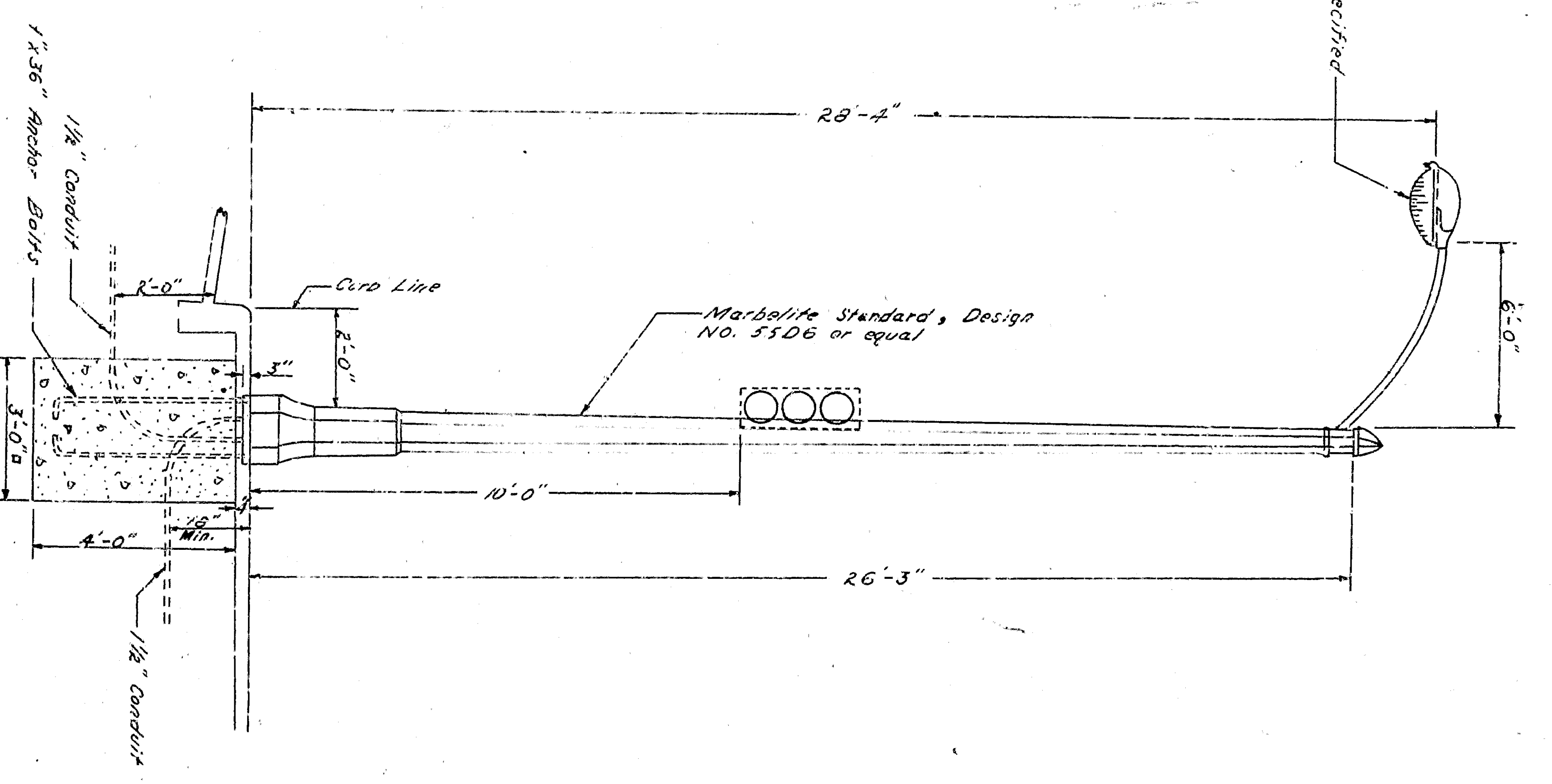
APPROVED	13
REGISTERED CIVIL ENGINEER NO.	
DRAWING NO.	22.9
CHECKED BY	RECOMMENDED
SHEET 8 OF 10 SHEETS	
CITY OF SAN BERNARDINO DEPARTMENT OF ENGINEERING	
STANDARD DETAILS	



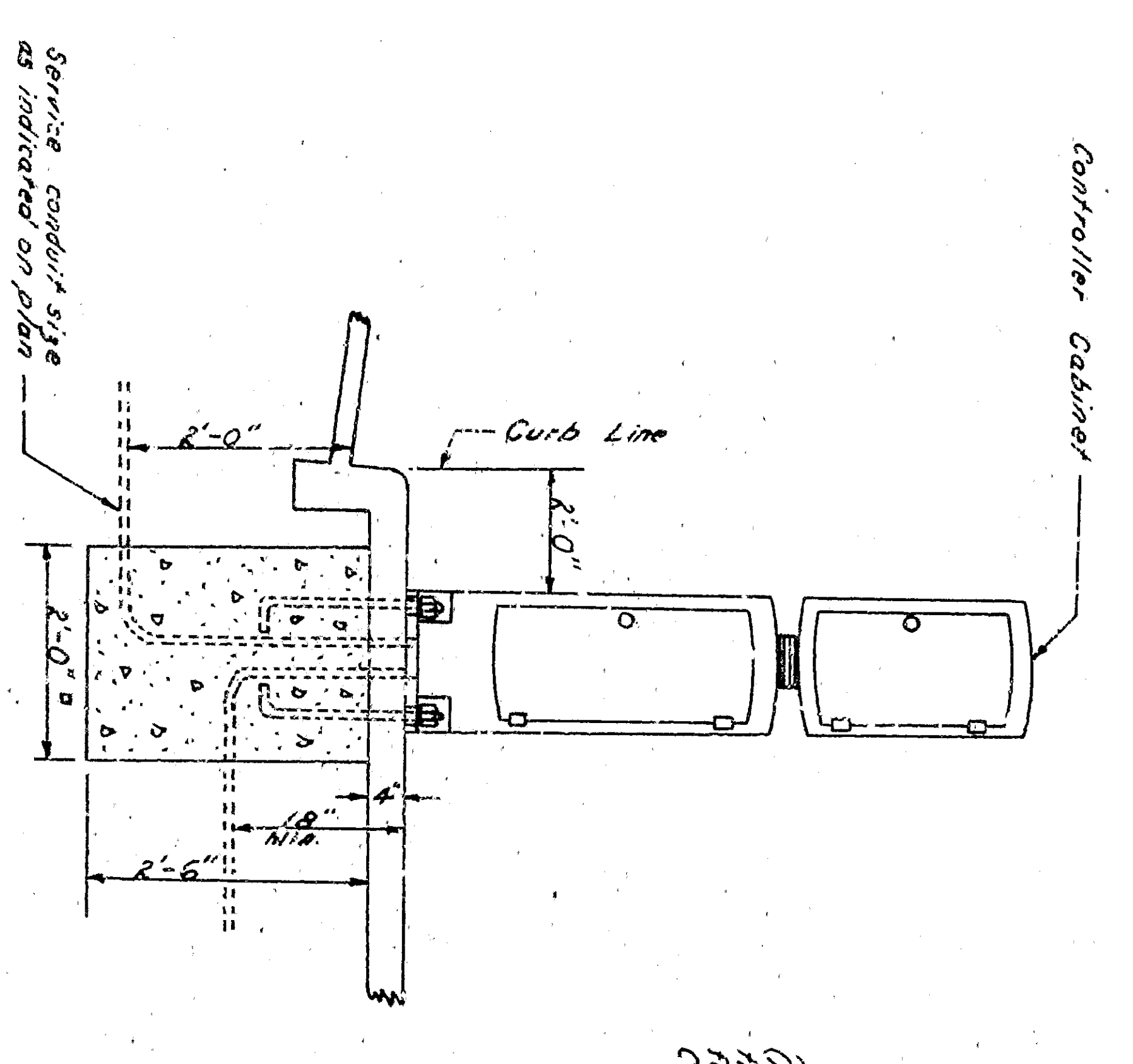
TYPE III(c) STANDARD, 23' skimmer, without main arm signal



TYPE II(c) STANDARD

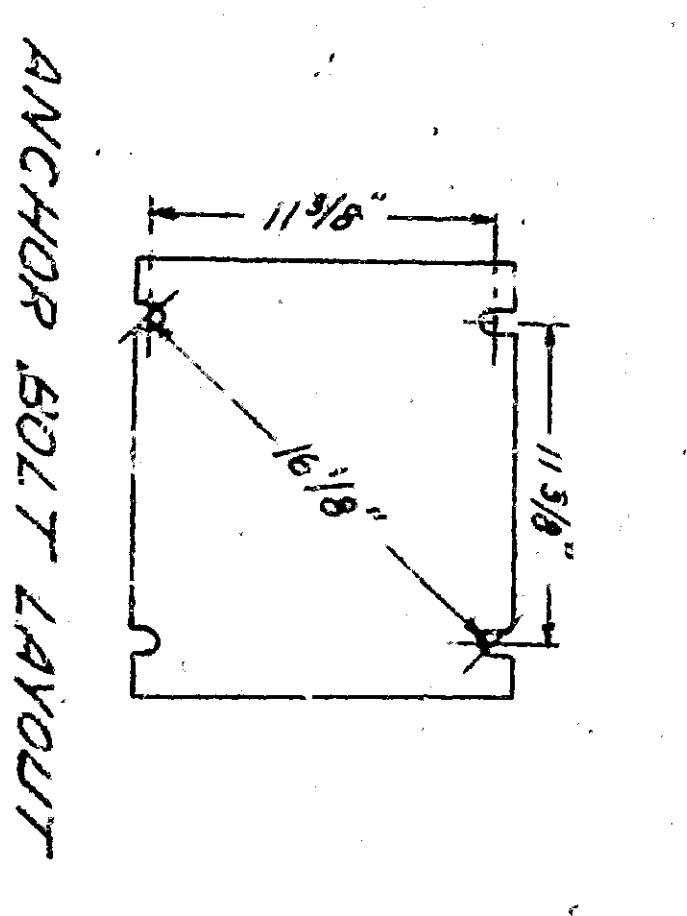
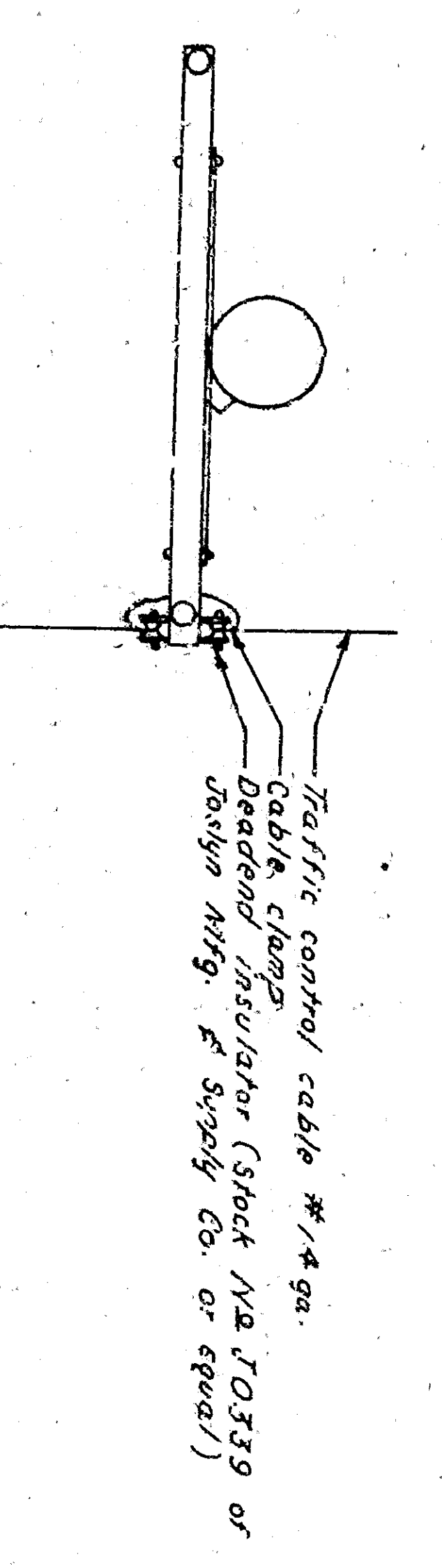
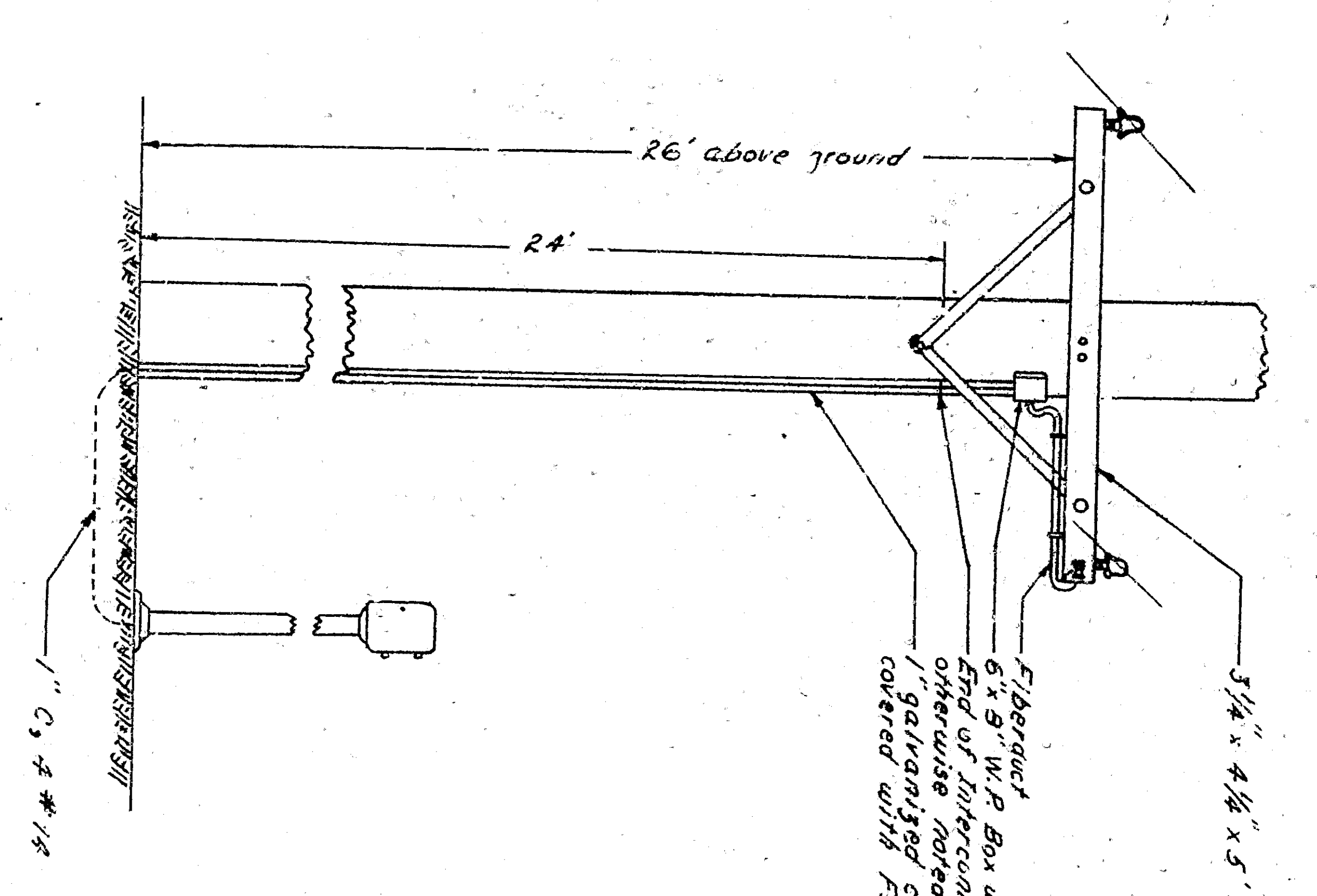


TYPE I(c) STANDARD (29')



SQUARE PEDESTAL CABINET & BASE

INTERCONNECT DETAILS



Anchor bolts spaced (min) 4'-0\"/>

APPROVED	13
REGISTERED CIVIL ENGINEER NO.	
DRAWING NO.	22.9
CHECKED BY	RECOMMENDED
SHEET 8 OF 10 SHEETS	
CITY OF SAN BERNARDINO DEPARTMENT OF ENGINEERING	
STANDARD DETAILS	